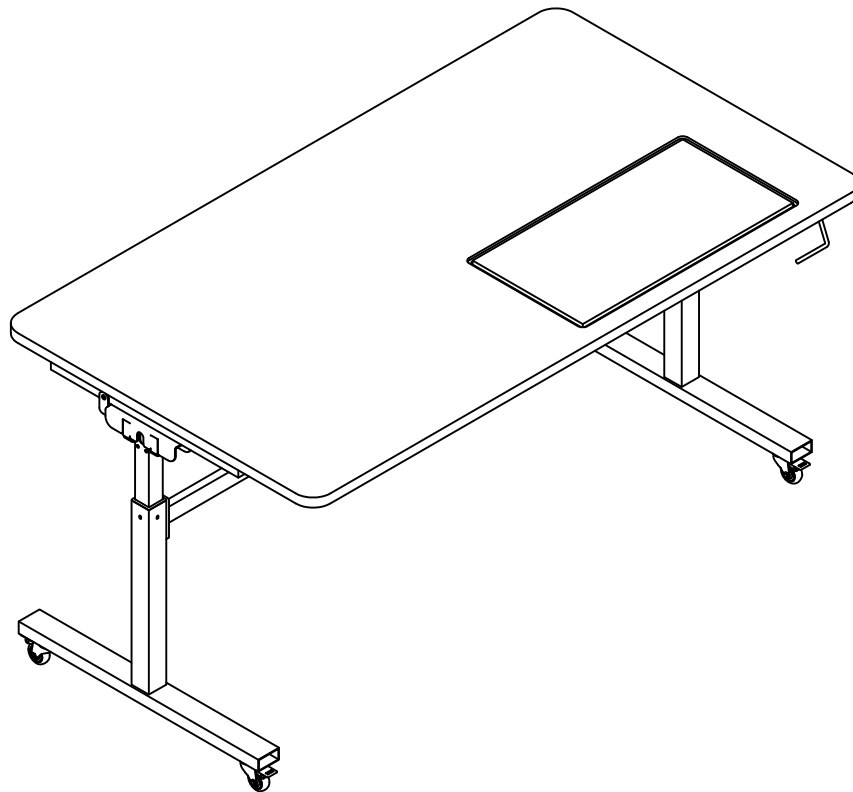


ASSEMBLY INSTRUCTIONS

ITEM No.:K9111

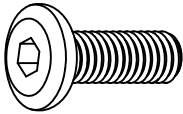
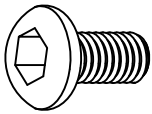
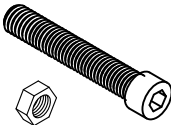




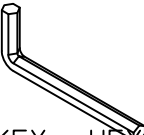
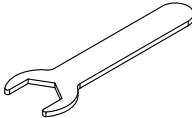
Assembly video can be found on our website at www.arrowcabinets.com in the Video Section.
Questions? Call 1-800-533-7347 press 1 or Email: cs@arrowcabinets.com


PARTS LIST

ITEM	DESCRIPTION	QTY.
A	Top panel	1
	Metal frame	1

PARTS LIST

<p>1</p>  <p>SCREW M8?6mm 25Pcs</p>	<p>2</p>  <p>SCREW M6?mm 9Pcs</p>	<p>3</p>  <p>SCREW M10?0mm 3Pcs</p>	<p>4</p>  <p>WASHER 6Pcs</p>
--	--	---	---

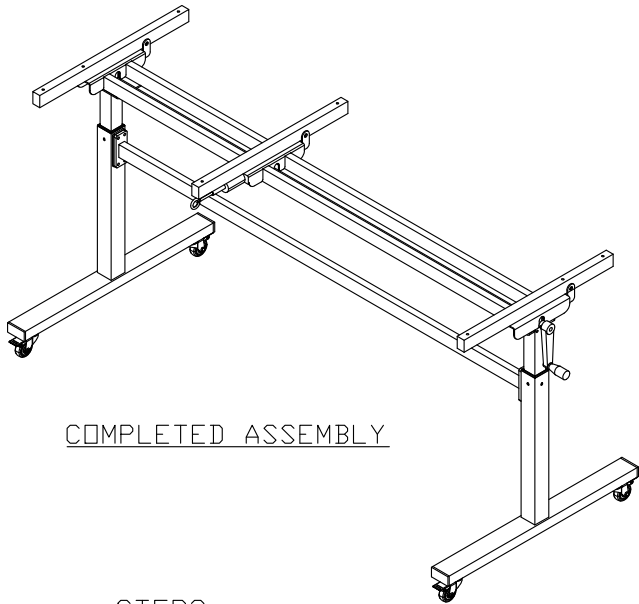
<p>5</p>  <p>PLASTIC WASHER 6Pcs</p>	<p>6</p> <p>HEX KEY 5mm 1pc</p>	<p>7</p> <p>HEX KEY 4mm 1pc</p>	<p>8</p>  <p>HEX KEY 2.5mm 1pc</p>	<p>9</p> <p>HEX KEY 8mm 1pc</p>	<p>10</p>  <p>WRENCH 1Pc</p>
---	---	---	---	---	---

<p>52</p>  <p>Screw 5*60 9pcs</p>
--

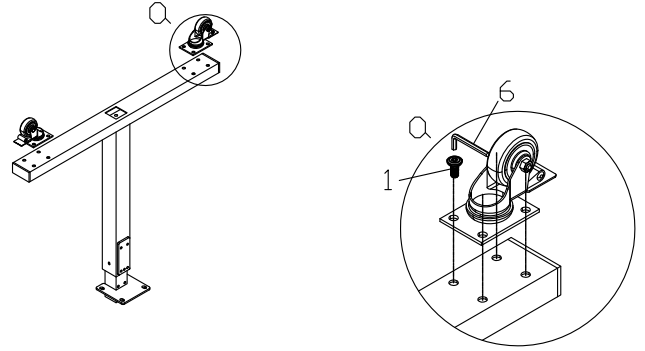
Pre-installed parts



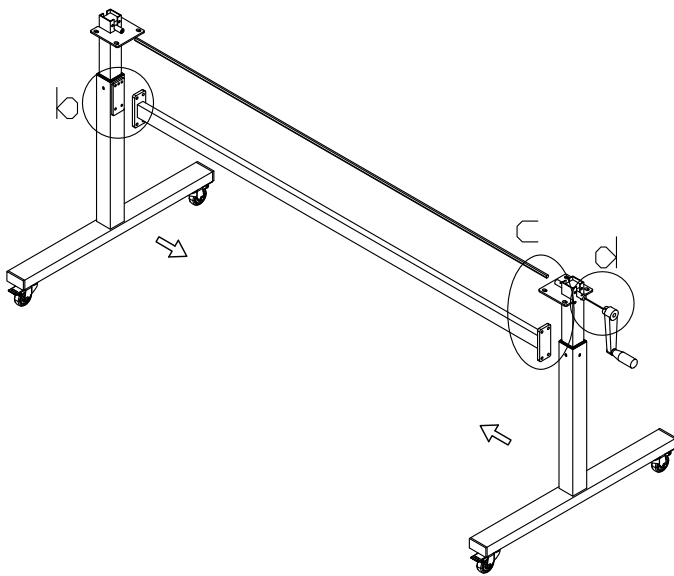
(c5) Cam



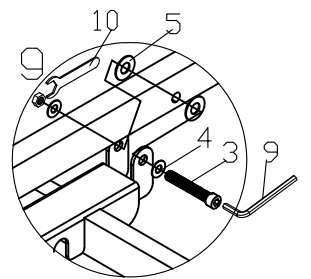
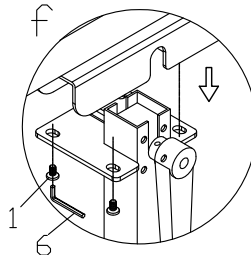
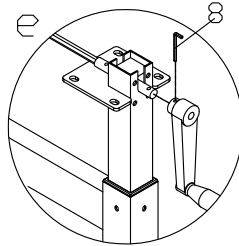
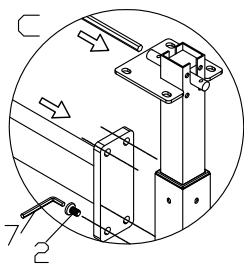
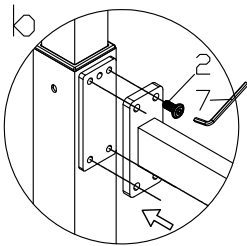
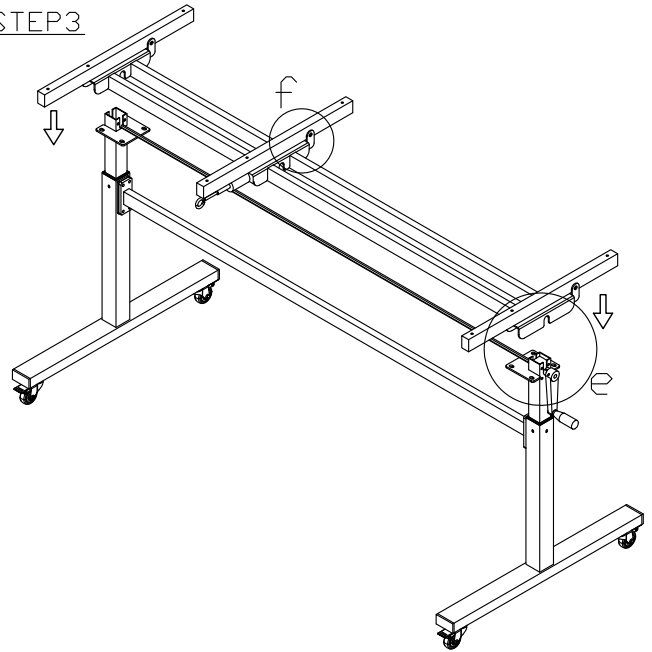
STEP1



STEP2

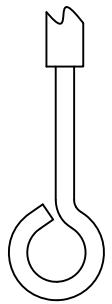
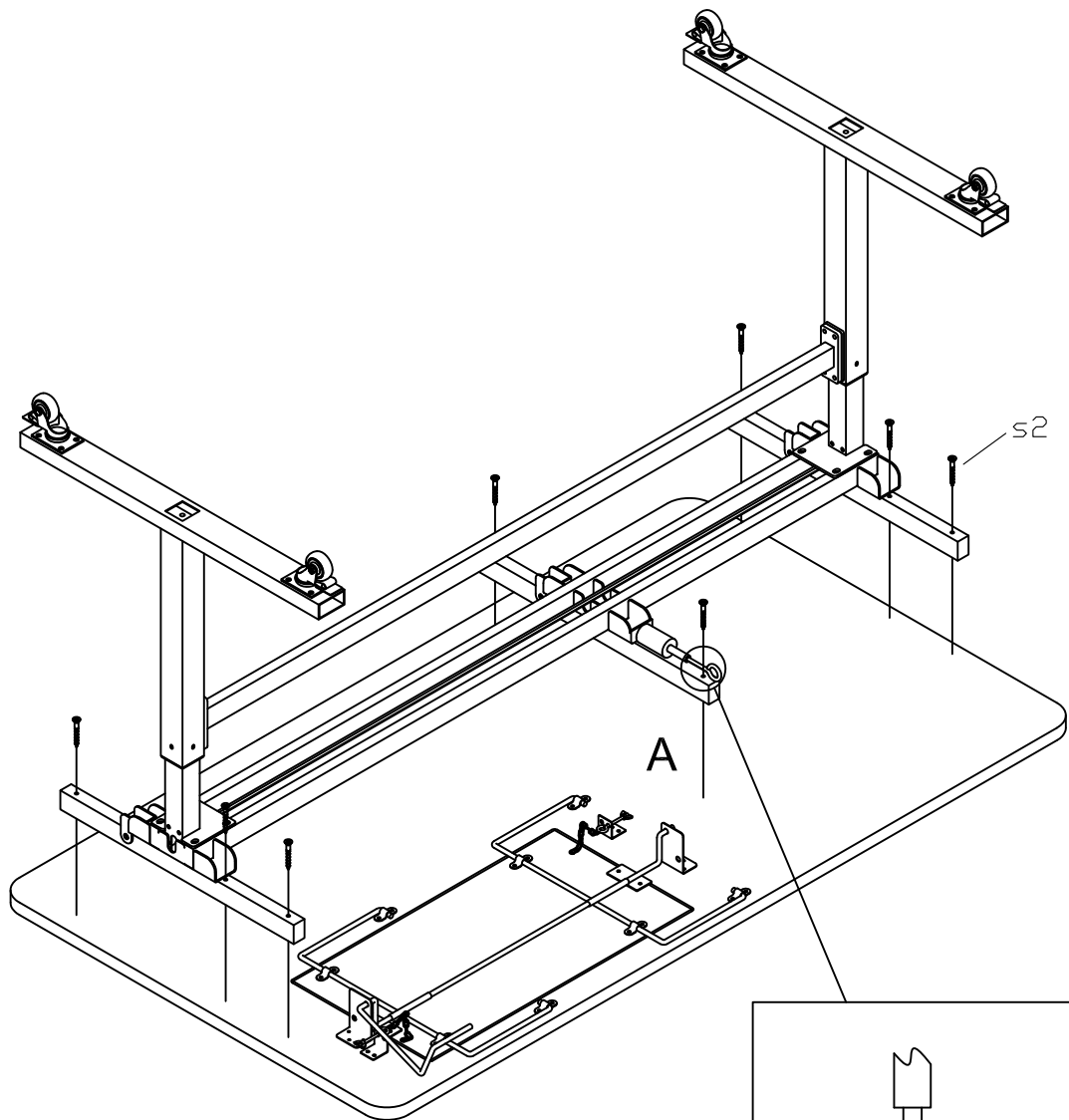


STEP3



Do not tighten until the end

Do not tighten until the end



Tilt handle to
expose screw
s2 to attach
the TOP

You have now successfully completed the assembly on item:

ITEM NO. :K9111

