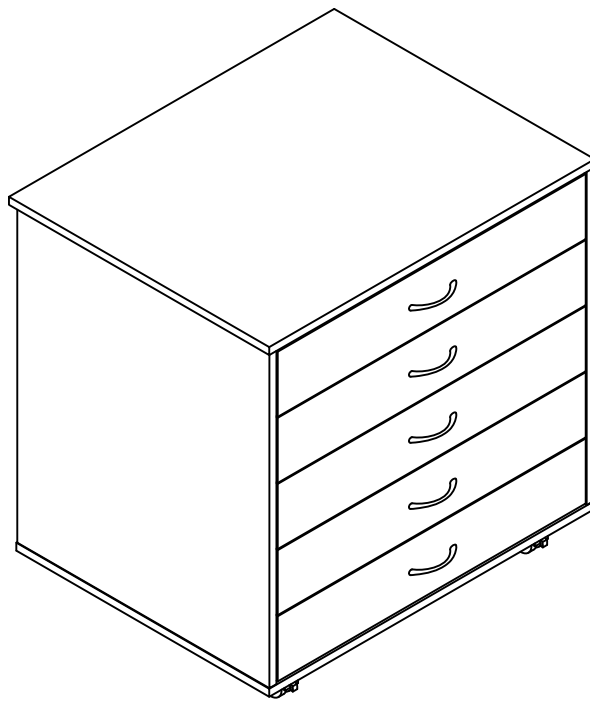
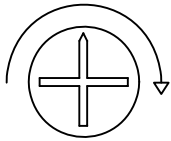


# ASSEMBLY INSTRUCTIONS

ITEM No.:2041



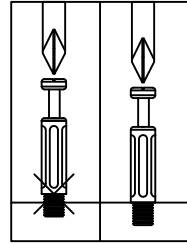


Turn clockwise to lock cam with bolt.

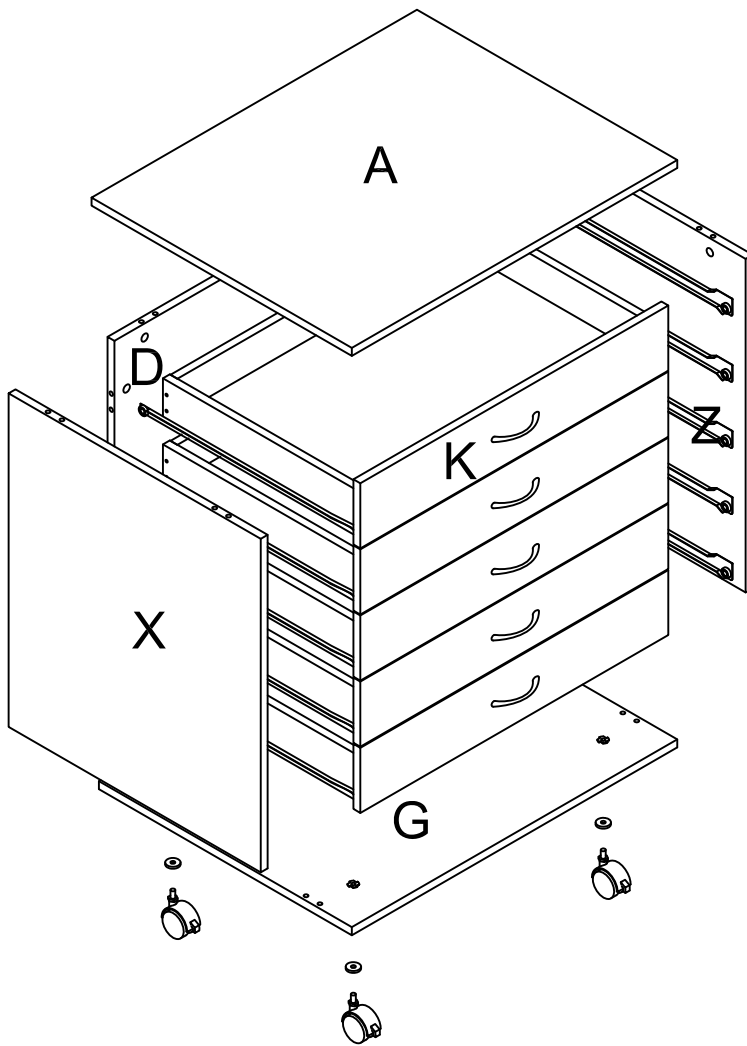


The arrow direction=front

Incorrect Correct



Screw cam bolts all the way in.



# PARTS LIST

ITEM	DESCRIPTION	QTY.
A	Top panel	1
G	Bottom panel	1
D	Back panel	1
X	Left side panel	1
Z	Right side panel	1
K	Panel	5
K1	Panel	5
K2	Panel	5
K3	Panel	5
K4	Panel	5
K5	Panel	5
O	Panel	5

# PARTS LIST

ITEM	DESCRIPTION	QTY.	ITEM	DESCRIPTION	QTY.
(c1)	6*35 Cam Bolt	16	(S3)	3.5*35 Screw	40
(d1)	8*30 Dowel pin	16	(h)	Handle	5
(c2)	(5/8") Cam Cover	16	(b2)	Fix Bolt	10
(t1)	Castor	4	(b4)	Washer	4
(r3)	14mm Spanner	1	(S2)	3.5*25 Screw	50



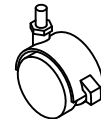
(c1) 6\*35 Cam Bolt-16



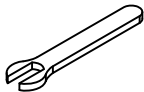
(d1) 8\*30 Dowel Pin-16



(c2) (5/8") Cam Cover-16



(t1) Castor-4



(r3) 14mm Spanner-1



(S3) 3.5\*35 Screw-40



(h) Handle-5



(b2) 4\*36 Fix Bolt-10

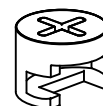


(b4) Washer-4



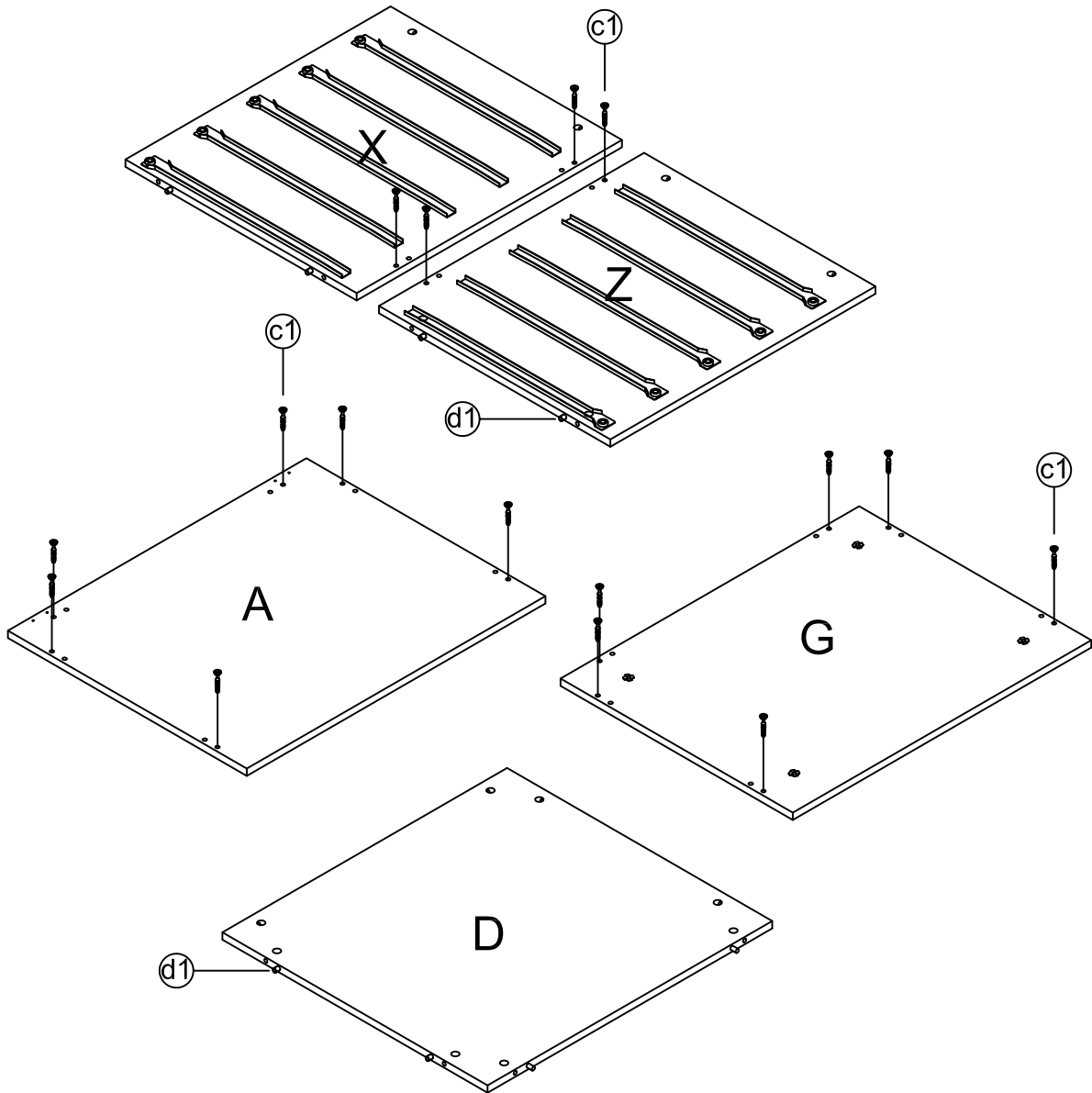
(S2) 3.5\*25 Screw-50

Pre-installed parts



(c5) Cam

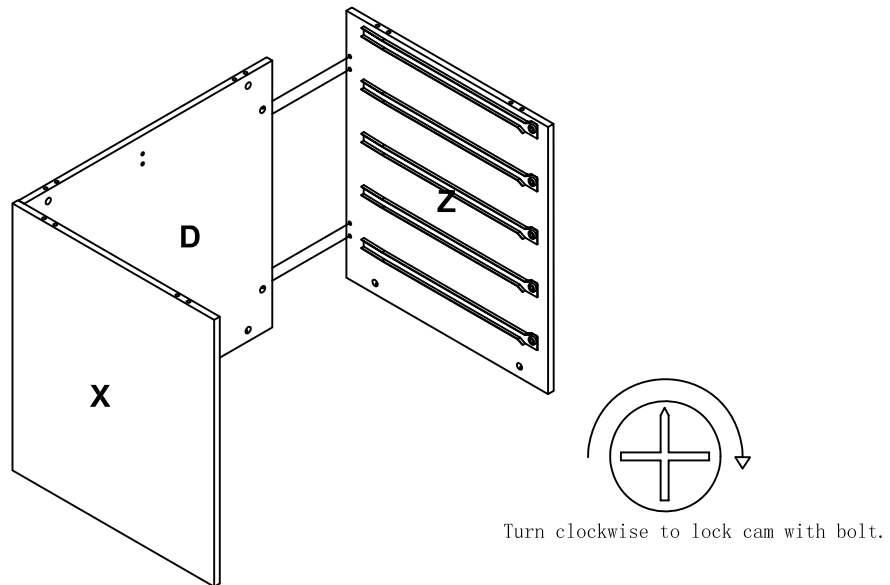
## STEP 1



### Preparation Panel G,X,Z,A and D.

1. Insert cam bolts (c1) into panels A,G,X,and Z as illustrated above.
2. Insert dowel pins (d1) to panels X,Z and D as illustrated above.

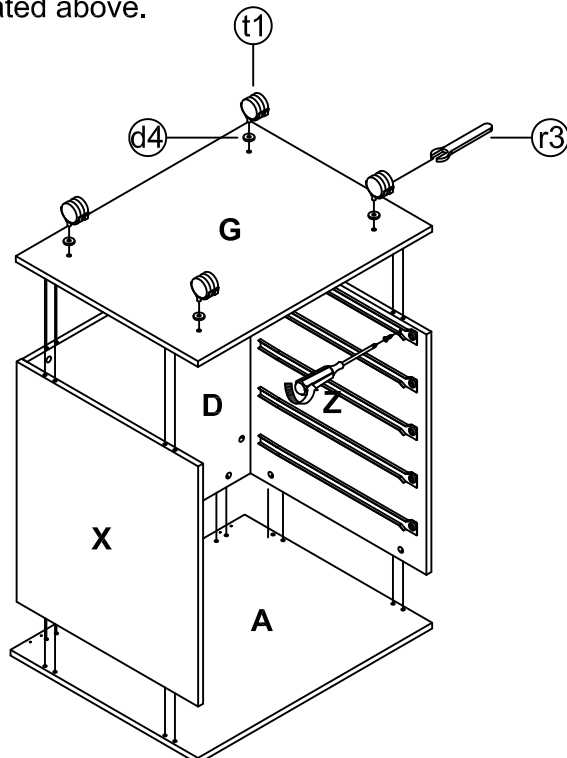
## STEP 2



### Panel D,X, and Z assembly.

1. Insert cam bolts (c1) on panel X and Z into cams on panels D and tighten in a clockwise direction as illustrated above.

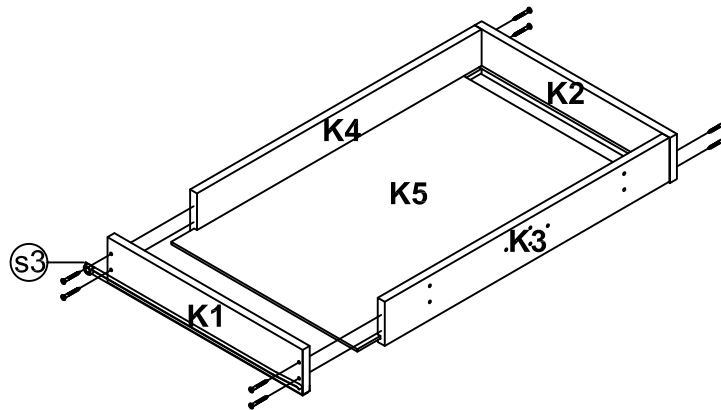
## STEP 3



### Panel A and G assembly.

1. On panels Z and X uninstall the runners next to panel G, to expose the cams as illustrated above.
2. Insert cam bolts (c1) on panel A and G into cams on panels X,Z and D and tighten in a clockwise direction as illustrated above. Re-install runners next to panel G.
3. Fix Castor (t1) and plastic washer (d4) to panels G as illustrated above.

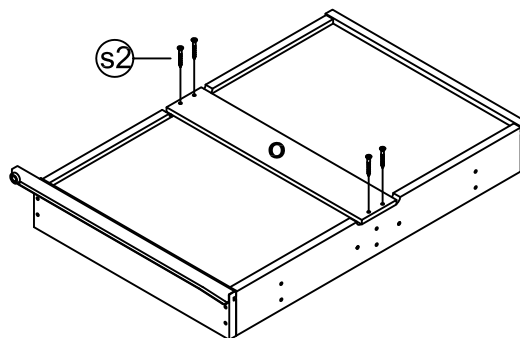
## STEP 4



### Drawers assembly.

1. Slide bottom K5 into K3, K2, K4 grooves as illustrated.
2. Connect drawer panels K1, K2, K3 and K4 with screws (s3) as illustrated above.

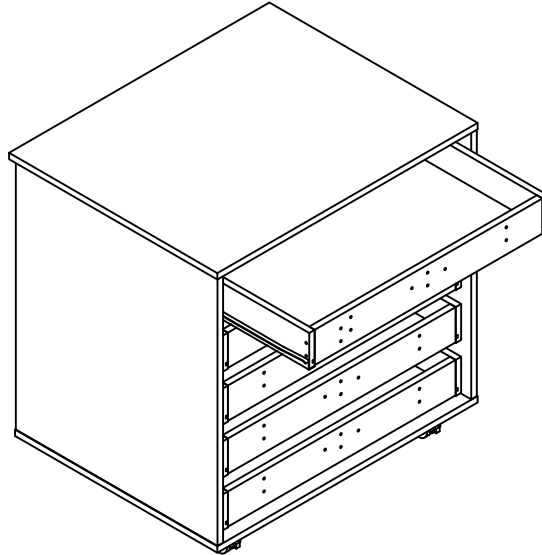
## STEP 5



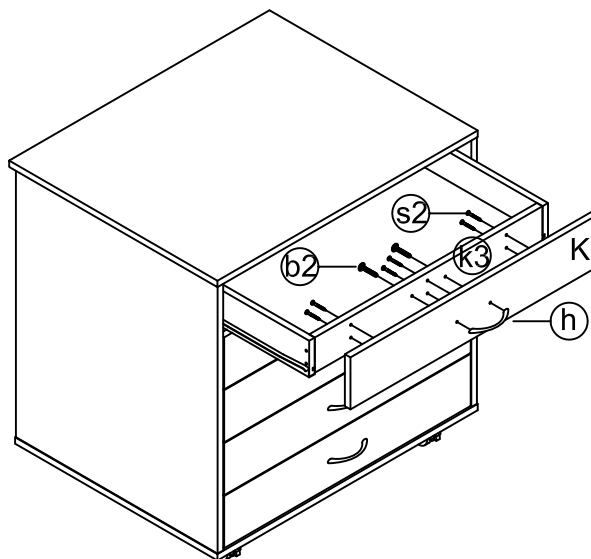
### Drawers assembly.

1. Put (s2) screws through back of panel O.

## STEP 6



**Drawers assembly.**



**Drawers assembly.**

1. Insert screws b2 for handles through back of k3.
2. Align drawer front with screws  $\textcircled{b2}$ .
3. Align all drawer fronts K, then attach with  $\textcircled{s2}$  screws.

When fitting fronts K use the side panels and drawers of the cabinet to align evenly on the horizontal and vertical position.



You have now successfully completed the  
assembly on item:

**ITEM NO. :2041**

